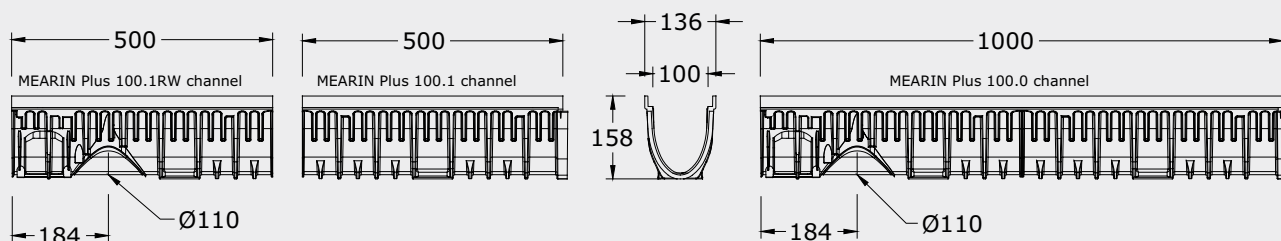


MEARIN® Plus 100 and Expert 100

Technical data sheet



Material properties

Channel body and accessories

- ◆ SMC (sheet moulded compound)
Glassfibre reinforced polyester, mineral fillers, additives
- ◆ Tensile strength 65 N/mm² (ISO527)
- ◆ Flexural tensile strength 120 N/mm² (ISO 14125)
- ◆ Modulus of elasticity 10.000 N/mm² (ISO 14125)
- ◆ Linear expansion coefficient 1.5 - 2.0 x 10⁻⁵ 1/K
- ◆ Heat resistance 100°C permanent exposure, short-term exposure to 200°C
- ◆ Frost resistance -35°C
- ◆ Water absorption < 0.1% (ISO R178)
- ◆ Material structure capillary free

Edge protection

MEARIN Plus

- ◆ Glassfibre reinforced polyester

MEARIN Expert

- ◆ Galvanized steel

Channel covers

- ◆ Galvanized steel
- ◆ Ductile iron

Description and sizes

- ◆ Drainage channels made of glass-fibre reinforced polyester with integrated sealable rebate
 - ◆ With galvanized steel or glass-fibre reinforced polyester edge protection
 - ◆ Interlocking channel connection system (tongue and groove)
 - ◆ Pre-formed Ø 110 outlets for vertical, lateral and horizontal connections
 - ◆ Lateral channel connection option for T, corner and cross connections
 - ◆ Half-metre lengths for flow direction change (RW)
 - ◆ Suitable for the installation of MEARIN Plus and Expert 100 channel covers with STARFIX non-bolted grating securement
-
- ◆ Clear width: 100 mm
 - ◆ Fall type: Level fall
-
- ◆ Loading class: A 15 – E 600 to EN 1433
 - ◆ CE conformity
 - ◆ Total height: 158 mm
 - ◆ Total width: MEARIN Plus 136 mm, MEARIN Expert 132 mm
 - ◆ Length: 500 mm and 1000 mm

Channel unit overview

MEARIN Plus 100 channel body

Edge: GRP						
Description	Loading class	Length mm	Total width mm	Total height mm	Weight kg	Inlet sectional area cm ² *)
MEARIN Plus 100.0 channel ¹⁾²⁾	D 400	1000	136	158	4,00	107,06
MEARIN Plus 100.1 channel ²⁾	D 400	500	136	158	2,00	107,06
MEARIN Plus 100.1 RW channel ¹⁾²⁾³⁾	D 400	500	136	158	2,00	107,06

MEARIN Expert 100 channel body

Edge: Galvanized steel						
Description	Loading class	Length mm	Total width mm	Total height mm	Weight kg	Inlet sectional area cm ² *)
MEARIN Expert 100.0 channel ¹⁾²⁾	E 600	1000	132	158	5,80	107,06
MEARIN Expert 100.1 channel ²⁾	E 600	500	132	158	2,80	107,06
MEARIN Expert 100.1RW channel ¹⁾²⁾³⁾	E 600	500	132	158	2,80	107,06

MEARIN Plus and Expert 100 accessories

Description	Loading class	Length mm	Total width mm	Total height mm	Weight kg	Inlet sectional area cm ² *)
MEARIN Plus 100 EK (silt box)	D 400	500	136	376	2,96	107,06
MEARIN Expert 100 EK (silt box)	E 600	500	132	376	4,20	107,06

Description	Thickness	Weight
	mm	kg
MEARIN Plus/Expert 100 end cap, closed	5	0,04
MEARIN Plus/Expert 100 end cap, Ø 110	5	0,06
MEARIN Plus/Expert 100 end cap, lateral, Ø 110		0,08
MEARIN Plus/Expert 100 channel adapter		0,04
MEARIN Plus/Expert 100 outlet Ø 110		0,08
MEARIN Plus/Expert 100 foul air trap		0,20

- ¹⁾ Connection option for vertical outlet, Ø 110
end cap with lateral connector, Ø 110
lateral channels, for T, corner and cross connections
- ²⁾ Connection option for silt box, Ø 110 connections
end cap with horizontal connector, Ø 110
- ³⁾ Possible application flow direction change

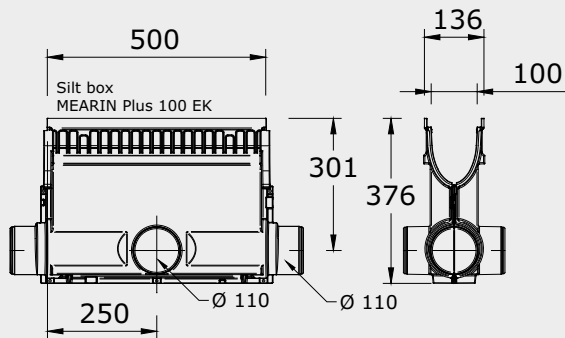
- Note: RW direction change
Slot slotted grating
Mesh mesh grating
Duct. ductile iron slotted grating

*) cross sectional area from the grating surface to the invert of the channel.

MEARIN Plus and Expert 100 channel covers

Description	Loading class	Material	Length	Total width	Total height	Weight	Inlet sectional area cm ² /m
			mm	mm	mm	kg	
MEARIN Plus/Expert 100 Slot	A 15	galvanized steel	1000	122	20	1,40	280,00
MEARIN Plus/Expert 100 Slot	A 15	galvanized steel	500	122	20	0,80	280,00
MEARIN Plus/Expert 100 Mesh 30/10	A 15	galvanized steel	1000	122	20	3,02	845,00
MEARIN Plus/Expert 100 Mesh 30/10	A 15	galvanized steel	500	122	20	1,62	808,00
MEARIN Plus/Expert 100 Perf.	A 15	galvanized steel	1000	122	20	1,75	302,00
MEARIN Plus/Expert 100 Perf.	A 15	galvanized steel	500	122	20	0,95	302,00
MEARIN Plus/Expert 100 Perf.	A 15	stainless steel	1000	122	20	1,75	302,00
MEARIN Plus/Expert 100 Perf.	A 15	stainless steel	500	122	20	0,95	302,00
MEARIN Plus/Expert 100 Slot	A 15	stainless steel	1000	122	20	2,40	280,00
MEARIN Plus/Expert 100 Slot	A 15	stainless steel	500	122	20	1,30	280,00
MEARIN Plus/Expert 100 Mesh 30/10	A 15	stainless steel	1000	122	20	3,02	845,00
MEARIN Plus/Expert 100 Mesh 30/10	A 15	stainless steel	500	122	20	1,62	808,00
MEARIN Plus/Expert 100 Perf. grey	A 15	plastic	500	122	20	0,66	302,00
MEARIN Plus/Expert 100 Perf. beige	A 15	plastic	500	122	20	0,66	302,00
MEARIN Plus/Expert 100 Design 'Rays'	A 15	stainless steel	1000	122	20	1,45	218,00
MEARIN Plus/Expert 100 Design 'Rays'	A 15	stainless steel	500	122	20	0,75	218,00
MEARIN Plus/Expert 100 Design 'Fish'	A 15	stainless steel	1000	122	20	1,45	150,00
MEARIN Plus/Expert 100 Design 'Fish'	A 15	stainless steel	500	122	20	0,75	150,00
MEARIN Plus/Expert 100 Design 'Rallye'	A 15	stainless steel	1000	122	20	1,45	260,00
MEARIN Plus/Expert 100 Design 'Rallye'	A 15	stainless steel	500	122	20	0,75	260,00
MEARIN Plus/Expert 100 Design 'Lozenge'	A 15	stainless steel	1000	122	20	1,45	176,00
MEARIN Plus/Expert 100 Design 'Lozenge'	A 15	stainless steel	500	122	20	0,75	176,00
MEARIN Plus/Expert 100 Design 'Rays'	A 15	galvanized steel	1000	122	20	1,45	218,00
MEARIN Plus/Expert 100 Design 'Rays'	A 15	galvanized steel	500	122	20	0,75	218,00
MEARIN Plus/Expert 100 Design 'Fish'	A 15	galvanized steel	1000	122	20	1,45	150,00
MEARIN Plus/Expert 100 Design 'Fish'	A 15	galvanized steel	500	122	20	0,75	150,00
MEARIN Plus/Expert 100 Design 'Rallye'	A 15	galvanized steel	1000	122	20	1,45	260,00
MEARIN Plus/Expert 100 Design 'Rallye'	A 15	galvanized steel	500	122	20	0,75	260,00
MEARIN Plus/Expert 100 Design 'Lozenge'	A 15	galvanized steel	1000	122	20	1,45	176,00
MEARIN Plus/Expert 100 Design 'Lozenge'	A 15	galvanized steel	500	122	20	0,75	176,00
MEARIN Plus/Expert 100 Mesh 30/10	B 125	galvanized steel	1000	122	20	3,60	845,00
MEARIN Plus/Expert 100 Mesh 30/10	B 125	galvanized steel	500	122	20	1,91	808,00
MEARIN Plus/Expert 100 Slot	C 250	galvanized steel	1000	122	20	4,20	280,00
MEARIN Plus/Expert 100 Slot	C 250	galvanized steel	500	122	20	2,10	280,00
MEARIN Plus/Expert 100 Mesh 30/20	C 250	galvanized steel	1000	122	20	4,29	857,00
MEARIN Plus/Expert 100 Mesh 30/20	C 250	galvanized steel	500	122	20	2,23	822,00
MEARIN Plus/Expert 100 Duct.	C 250	ductile iron	500	122	20	3,70	350,00
MEARIN Plus/Expert 100 Slot	C 250	stainless steel	1000	122	20	5,50	280,00
MEARIN Plus/Expert 100 Slot	C 250	stainless steel	500	122	20	2,80	280,00
MEARIN Plus/Expert 100 Mesh 30/20	C 250	stainless steel	1000	122	20	4,29	857,00
MEARIN Plus/Expert 100 Mesh 30/20	C 250	stainless steel	500	122	20	2,23	822,00
MEARIN Plus/Expert 100 Mesh 30/20	D 400	galvanized steel	1000	122	20	5,70	794,00
MEARIN Plus/Expert 100 Mesh 30/20	D 400	galvanized steel	500	122	20	2,85	762,00
MEARIN Plus/Expert 100 Duct.	D 400	ductile iron	500	122	20	3,85	400,00
MEARIN Plus/Expert 100 Mesh 30/20	D 400	stainless steel	1000	122	20	6,18	794,00
MEARIN Plus/Expert 100 Mesh 30/20	D 400	stainless steel	500	122	20	3,14	762,00
MEARIN Plus/Expert 100 WAVE-grating	E 600	ductile iron	500	122	20	3,85	546,00

Silt box in glass-fibre reinforced polyester

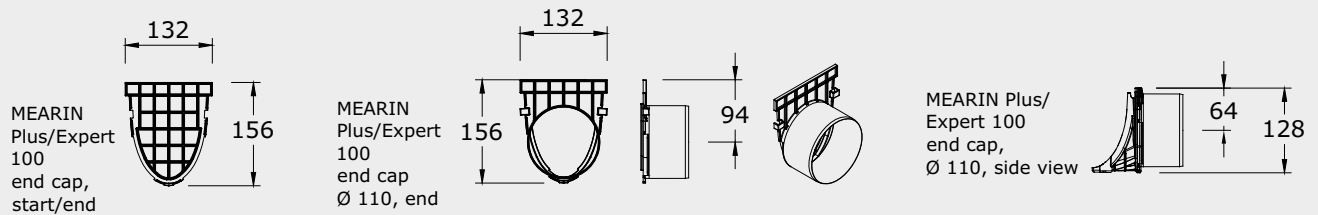


Description and sizes

- ◆ Suitable for MEARIN Plus 100 and MEARIN Expert 100
- ◆ With galvanized steel or glass-fibre reinforced polyester edge protection
- ◆ With sediment bucket
- ◆ Connection option for Ø 110
- ◆ Interlocking channel connection system
- ◆ Suitable for the installation of MEARIN Plus and Expert 100 channel covers with STARFIX non-bolted grating securement

	Loading class	Length mm	Total width mm	Total height mm	Weight kg	Inlet sectional area cm ²
Edge: GRP						
MEARIN Plus 100 EK (silt box)	D 400	500	136	376	2,96	107,06
Edge: galvanized steel						
MEARIN Expert 100 EK (silt box)	E 600	500	132	376	4,20	107,06

End caps

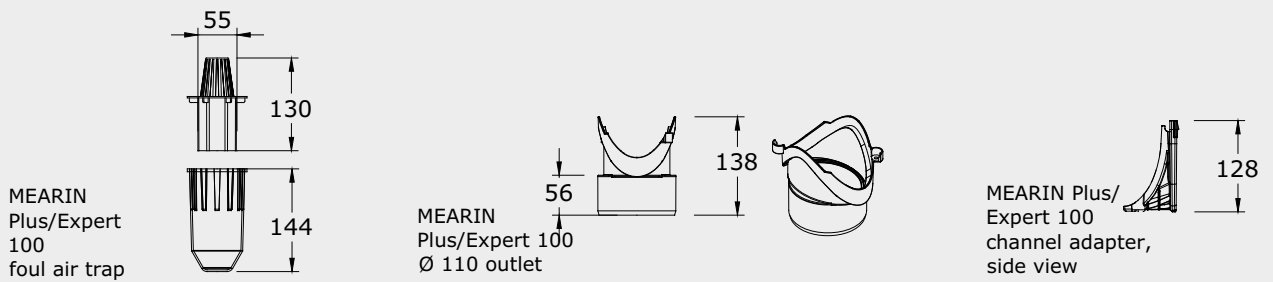


Description and sizes

- ◆ Suitable for MEARIN Plus 100 and MEARIN Expert 100
- ◆ Connection option for Ø 110
- ◆ Material: polypropylene

	Thickness mm	Weight kg
MEARIN Plus/Expert 100 end cap, closed	5	0,04
MEARIN Plus/Expert 100 end cap, Ø 110	5	0,06
MEARIN Plus/Expert 100 end cap, lateral, Ø 110	5	0,08

Foul air trap, outlet connector and channel adapter

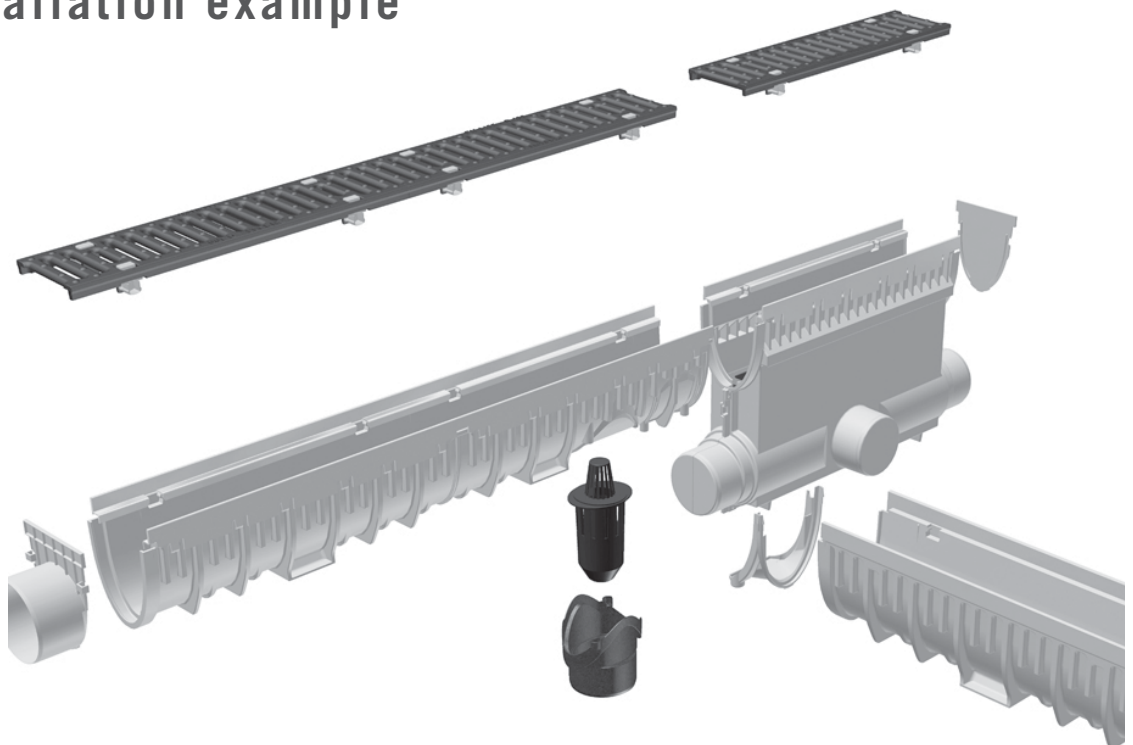


Description and sizes

- ◆ Suitable for MEARIN Plus 100 and MEARIN Expert 100
- ◆ Material: polypropylene

	Weight kg
MEARIN Plus/Expert 100 channel adapter	0,04
MEARIN Plus/Expert 100 Ø 110 outlet	0,08
MEARIN Plus/Expert 100 foul air trap	0,20

Installation example



For enquiries in the UK and Ireland:

MEA UK Limited
 Rectors Lane
 Pentre
 Deeside
 Flintshire
 CH5 2DH
 tel: 0 1244 53 44 55
 fax: 0 1244 53 44 77
 uk.technical@mea.de
 www.mea-group.com

For all other enquiries:

MEA Drainage Systems
 Ambachtsweg 18
 7021 BT Zelhem
 P.O. Box 90
 7020 AB Zelhem
 The Netherlands
 tel: (+31) 314 62 77 62
 fax: (+31) 314 62 77 77
 sales.info@nl.mea.de
 www.mea-group.com